

# FLUCON®

Fluid



Systems

Control



## PNEUMATIC-PNEUMATIC POSITIONER



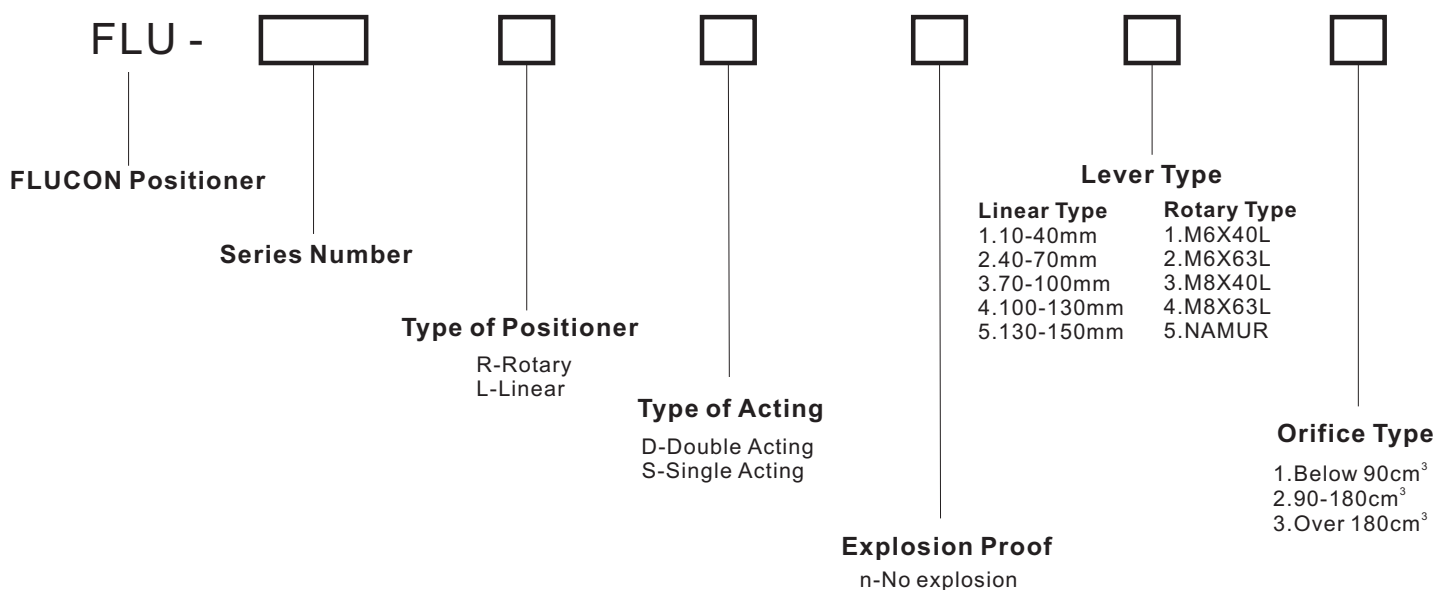
## ■ Design and Features

Armed with the design ideas of block structure and Multi-port type, we produced the FLU-1200 series P-P valve positioner which has two types, one is Linear and another is rotary. The Linear one is used for linear operation of pneumatic linear valve actuator. The rotary one is used for rotary pneumatic actuator. They control valve stroke accurately, through pressure air, according to input air signal of 3-15psi being input from electrical-pneumatic converter.

The FLU-1200 series P-P valve positioner is provided with following features:

1. There is no resonance in the range of 5~200Hz.
2. Performing ½ Split Control without any other substitutes.
3. Easy to adjust zero and span.
4. Easy to convert from Reverse Action to Direct Action or vice versa.
5. Easy to convert from Spring Return to Double Action actuator or vice versa.
6. Fast and accurate response.
7. Low air consumption.
8. Easy to protect from hunting effect by using output orifice in small size of actuator.
9. Easy to install air tubing connection in any direction.

## ■ Ordering Symbols and Specifications

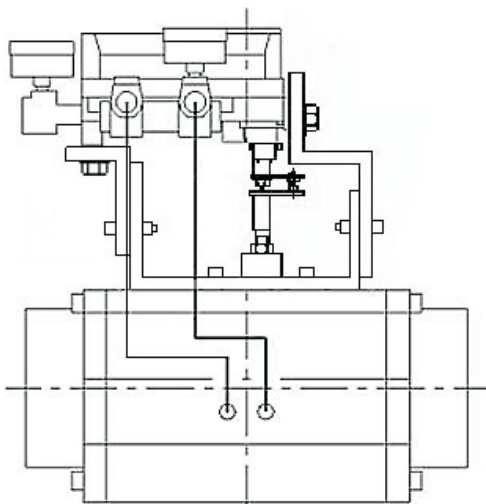


Sample: FLU-1200RDn13 means a rotary, double acting and no explosion FLUCON valve positioner. The lever type of the positioner is M6x40L and the orifice type is over 180cm<sup>3</sup>.

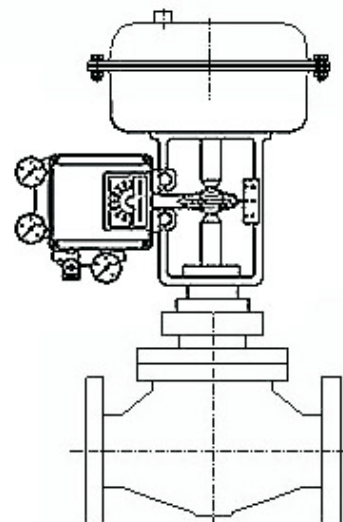
## ■ Technical Data

	FLU-1200LDn/LSn	FLU-1200RDn/RSn
<b>Input signal</b>	0.2~1kgf/cm <sup>2</sup> (3~15psi)	
<b>Supply pressure</b>	1.4~7kgf/cm <sup>2</sup> (20~100psi)	
<b>Stroke</b>	15~150mm	0~90°
<b>Air connection</b>	PT(NPT)1/4	
<b>Gauge connection</b>	PT(NPT)1/8	
<b>Protection</b>	IP66	
<b>Ambient temperature</b>	-20°C~70°C	
<b>Linearity</b>	±1%F.S.	±2%F.S.
<b>Hysteresis</b>	1%F.S.	
<b>Sensitivity</b>	±0.2%F.S.	±0.5%F.S.
<b>Repeatability</b>	±0.5%	
<b>Air consumption</b>	3LPM(Sup=1.4kgf/cm <sup>2</sup> ,20psi)	
<b>Flow capacity</b>	80LPM(Sup=1.4kgf/cm <sup>2</sup> ,20psi)	
<b>Housing Material</b>	Aluminum alloy	
<b>weight</b>	1.7kg(3.7lb)	

## ■ Mounting and Installation



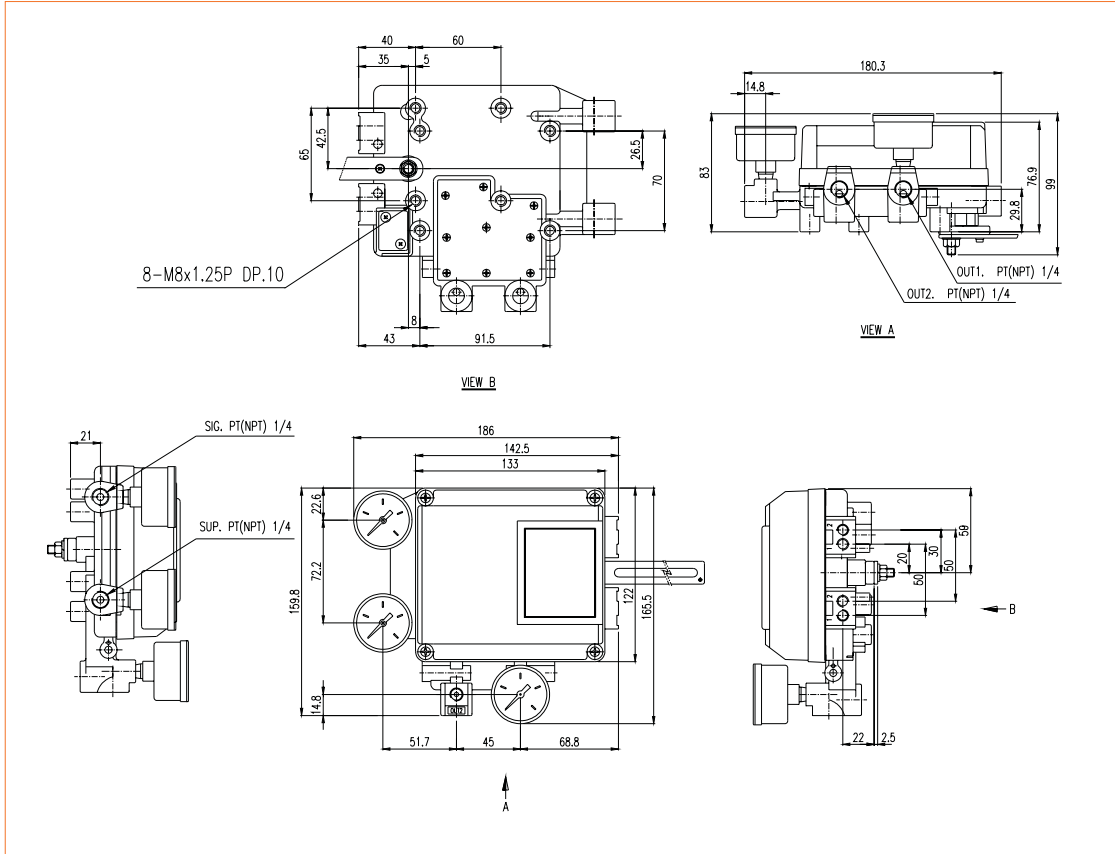
Rotary type



Linear type



## Dimensions FLU-1200L



## FLU-1200R

