

## PSE 100/200 with DC- or AC-motor



### Special features

- complete solution including motor, gear, controller, absolute measuring system and default analogue target value
- positioning enabling via floating contact
- direct connection to PLC
- actual value report
- working range up to 50 (PSE200), respectively 20 (PSE100) revolutions
- solid ABS-housing

nominal power output	PSE200: 3 W (30% OT) PSE100: 0,5 W (100% OT)
nominal current	0,2 A (PSE100), 1 A (PSE200)
no-load current	0,2 A
positioning resolution	0,5 % of positioning range
positioning accuracy	2% of positioning range
positioning range	max. 50 revolutions (PSE200) max. 20 revolutions (PSE100)
shock resistance acc. to DIN IEC 68-2-27	50 g 11 ms
vibration resistance acc. to DIN IEC 68-2-6	10...55 Hz 1,5 mm / 55...1000 Hz 10 g / 10...2000 Hz 5 g
testing	CE
output shaft	12 H8 circular shaft
maximum axial trust	20 N
maximum radial force	30 N
ambient temperature	0...50 °C
storage temperature	-10...70 °C
protection class	IP 55
weight	900 g

### Technical Data

	nominal torque	nominal rated speed	<b>A</b> model
<b>PSE100</b>	2,5 Nm	2 min <sup>-1</sup>	100/1
	5 Nm	1 min <sup>-1</sup>	100/2
	10 Nm	0,5 min <sup>-1</sup>	100/3
	10 Nm	0,25 min <sup>-1</sup>	100/4
<b>PSE200</b>	1 Nm	30 min <sup>-1</sup>	200/1
	5 Nm	5 min <sup>-1</sup>	200/2
	10 Nm	2 min <sup>-1</sup>	200/3
	10 Nm	1 min <sup>-1</sup>	200/4
	10 Nm	0,5 min <sup>-1</sup>	200/5
	10 Nm	0,25 min <sup>-1</sup>	200/6
default analogue target value			<b>B</b>
		0...10 VDC (RL > 2 kΩ)	A
		0...20 mA (RL < 500 Ω)	B
		4...20 mA (RL < 500 Ω)	C
supply voltage			<b>C</b>
		24 VDC (+20/-15%) only for PSE 200	A
		24 VAC (+6/-15% 50 Hz) only for PSE100	B
		115 VAC (+6/-15% 50 Hz) only for PSE100	C
		230 VAC (+6/-15% 50 Hz) only for PSE100	D
number of revolutions*			<b>D</b>
		max. 50 (PSE200), max. 20 (PSE100)	

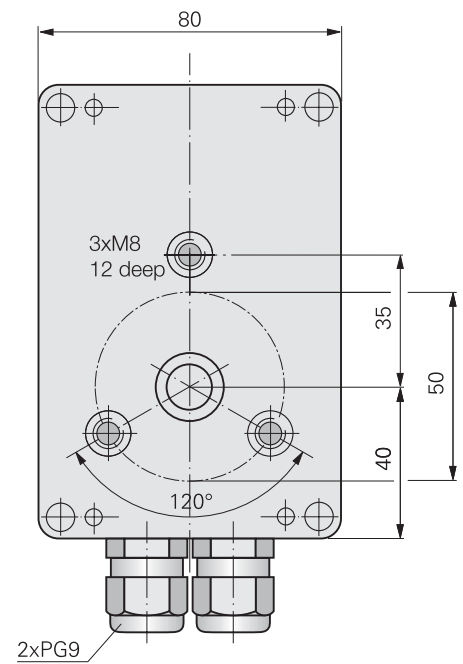
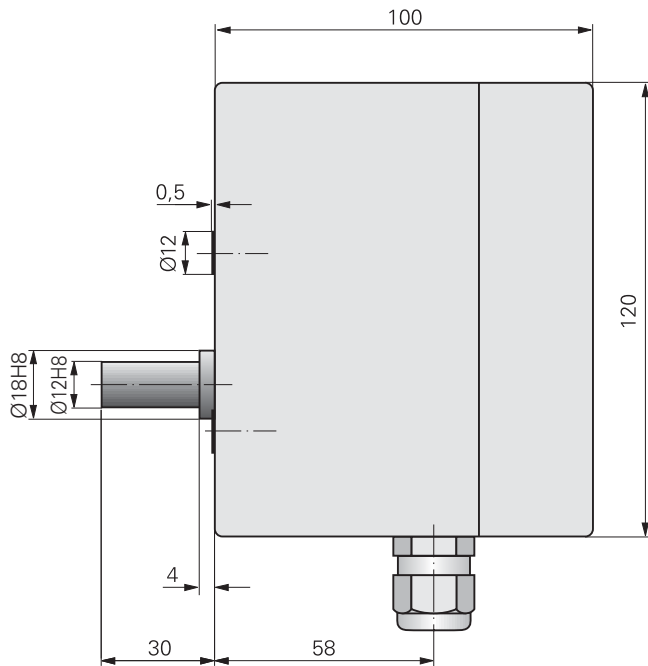
\* given in revolutions, max. 50 (20); when < 1 rotation conversion of the given revolutions angle; e.g. 270° correspond to 0,75° revolutions.

### Order key

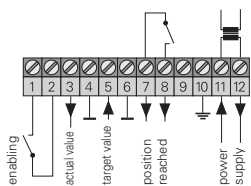
	<b>A</b>	<b>B</b>	<b>C</b>	<b>D</b>
PSE	-	-	-	-

**PSE 100/200 with DC- or AC-motor**

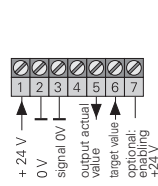
**Dimension drawing**



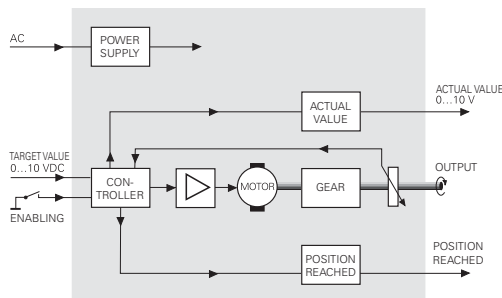
**Connection diagram PSE 100**



**Connection diagram PSE 200**



**Functional block diagram PSE 100**



**Functional block diagram PSE 200**

